

Challenges for Broadband Deployment in India

Abhay Karandikar

**Department of Electrical Engineering
Indian Institute of Technology-Bombay
Mumbai 400076- India**

Abhay Karandikar

Outline

- ◆ **Broadband deployment scenario in India**
- ◆ **Next Generation Access Technologies**
- ◆ **Optimal Access Architecture**

Challenges to bridge Digital (Information !) Divide

- ◆ **Affordability**
 - Access devices.
 - Connectivity.
- ◆ **Human Capital (Digital skills and capacity)**
 - General cognitive sense and skills necessary to make sense of online information.
 - Basic reading and writing skills required
 - ▶ Most web information available only in text form.
 - ▶ Need audio/video interface.
 - Access Interface
 - ▶ Needs to be more intuitive, simple.
- ◆ **Language Skills**
 - Need for multi-lingual information access

Affordability

- ◆ In US, service provider can earn revenues to the extent of US\$ 360 per year per household for 90% household.
- ◆ In India, 90% households may not afford more than US\$ 100.
- ◆ In India, minimum data rate of 256 Kbps is considered as broadband.

Broadband Scenario in India and other Asian countries

- ◆ **Number of Household**
 - Korea- 14.3 M
 - China-333M
 - India-192 M
- ◆ **Broadband Connections (Year 2005 end)**
 - Korea- 11M
 - China- 64.3 M
 - India- 0.9 M
- ◆ **Indian Target**
 - 9M (2006)
 - 30M (2007)
 - 50 M (2010)

Problems for Service Providers

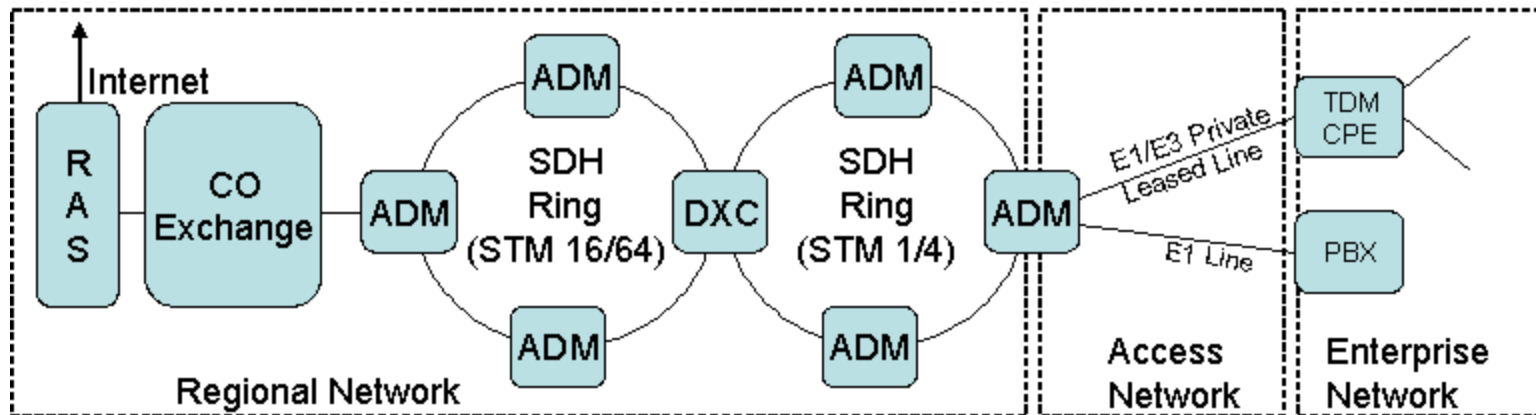
◆ Challenges

- Poor Infrastructure
- Diverse demographics
- High Capital costs

◆ Technologies in use

- TDM Model
- DSLAM Model
- Cable TV and Local Service Provider Model

Enterprise TDM Model



RAS: Remote Access Server
CO: Central Office
ADM: Add-Drop Multiplexer
SDH: Synchronous Digital Hierarchy
DXC: Digital Cross Connect

TDM: Time Domain Multiplexing
CPE: Customer Premises Equipment
PBX: Private Branch Exchange
STM: Synchronous Transport Mode

Issues

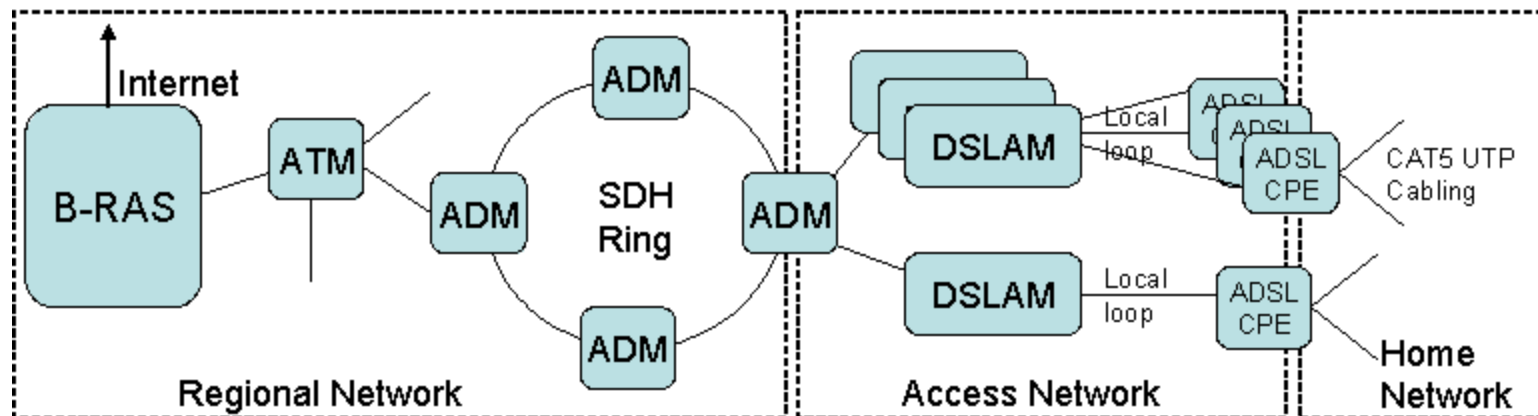
◆ Advantages

- Offers Guaranteed Quality of Service
- Fast protection and restoration
- Reliability

◆ Bottlenecks

- No flexibility to scale with the needs of the customer
- High cost of installation and slow provisioning
- Bandwidth does not grow linearly with customer demands
- Low bandwidth

DSLAM Model



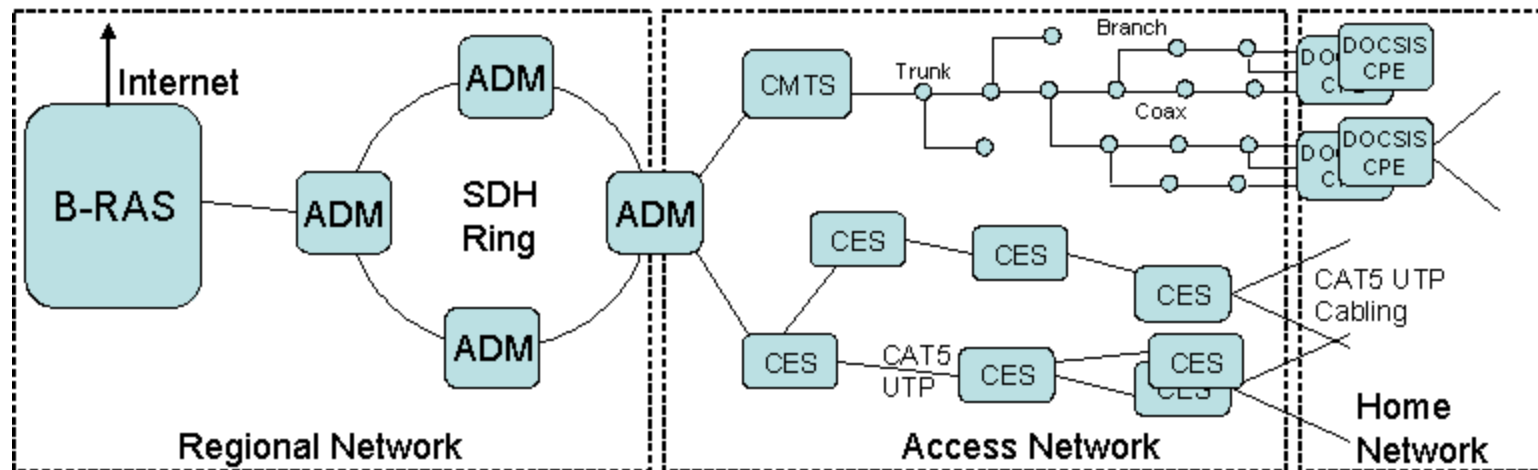
ATM: Asynchronous Transfer Mode
ADM: Add-Drop Multiplexer
SDH: Synchronous Digital Hierarchy
B-RAS: Broadband Remote Access Server

ADSL: Asymmetric Digital Subscriber Line
CPE: Customer Premises Equipment
DSLAM: DSL Access Multiplexer
CAT5 UTP: Category 5 Unshielded Twisted Pair

Bottlenecks

- ◆ Of 40 Million copper lines owned by state-owned Telco in India, only about 7 millions are technically fit for carrying DSL signals.
- ◆ Local loop unbundling has hardly happened.
- ◆ High cost of network elements in SDH and ATM backhaul network.

Cable TV and Local Service Provider Model



ADM: Add-Drop Multiplexer
SDH: Synchronous Digital Hierarchy
B-RAS: Broadband Remote Access Server

CMTS: Cable Modem Termination System
DOCSIS: Data Over Cable Service Interface Specification
CPE: Customer Premises Equipment
Coax: Television grade Coaxial Cable
CES: Consumer grade Ethernet Switch
CAT5 UTP: Category 5 Unshielded Twisted Pair

Bottlenecks

- ◆ Deployment and maintenance operationally challenging
- ◆ Cable infrastructure in most cities does not have bi-directional support
- ◆ In local service provider model, enterprise grade switch is used
 - No security or user isolation.
 - No proactive network management
 - No traffic policing or rate shaping
 - No Quality of Service Guarantees
 - No built-in-redundancy

Next Generation Access Technologies

- ◆ **Next Generation SDH**
- ◆ **Optical Ethernet or Ethernet over Fiber**

Comments on Next Gen SDH

- ◆ Very popular in those carriers who already have installed base of SDH rings.
- ◆ Good choice of deployment when the predominant traffic is circuit switched.
- ◆ May be inefficient if the predominant traffic is bursty packet switched data.
 - Ethernet over Fiber and Copper is the solution.

Ethernet in Access

- ◆ **Reduces the cost of per user provisioning**
 - Relative technical simplicity
 - Due to large installed base
- ◆ **Efficient and Flexible transport**
 - Can offer a wide range of speeds from 128 Kbps to 10 Gbps.
- ◆ **Ease of Interworking**
 - Plug and play feature
- ◆ **Ubiquitous adoption**
 - Ethernet is the dominant technology of choice in enterprise and campus LAN

Ethernet Deployment in Access

- ◆ **Hub and Spoke Configuration**
 - Dedicated fiber/wavelength/copper is used for connectivity.
- ◆ **Gigabit Ethernet Ring**
- ◆ **Fully meshed architecture**

But what are the limitations with native mode Ethernet ?

- ◆ **How to identify different customers?**
 - Notion of Ethernet virtual circuit like ATM VC that connects two or more UNI.
- ◆ **How to enforce QoS?**
 - **Guaranteed SLA and QoS Attributes**
 - ▶ Committed Information Rate (CIR)
 - ▶ Committed Burst Size (CBS)
 - ▶ Peak Information Rate (PIR)
 - ▶ Maximum Burst Size (MBS)
- ◆ **Protection Mechanism**
- ◆ **In-service performance monitoring**
- ◆ **How to scale the number of customers?**

Ethernet as Transport Mechanism in native mode

- ◆ **VLAN Tagging**
 - Point to point VLAN can be used to establish virtual circuit
- ◆ **VLAN Stacking**
 - An already tagged frame can be tagged again to create a hierarchy.
 - 802.1Q in 802.1Q (Q-in-Q)
- ◆ **Protection and Restoration**
 - Spanning Tree and Rapid Spanning Tree protocol (IEEE 802.1s)
- ◆ **QoS**
 - Using 802.1p priority mechanism
- ◆ **OAM**
 - IEEE 802.1ag

Challenges with an All Ethernet Access

- ◆ **Scalability**
 - Limited VLAN tag space allows only 4096 VC to be set up
- ◆ **Traffic Engineering bottlenecks**
 - Spanning Tree allows only one loop free path which can result in uneven load distribution
- ◆ **Service Provisioning**
 - VLAN assignment and provisioning
- ◆ **Limited protection and restoration available only through rapid spanning tree**
 - 50 ms resiliency not possible.
- ◆ **TDM voice over Ethernet**

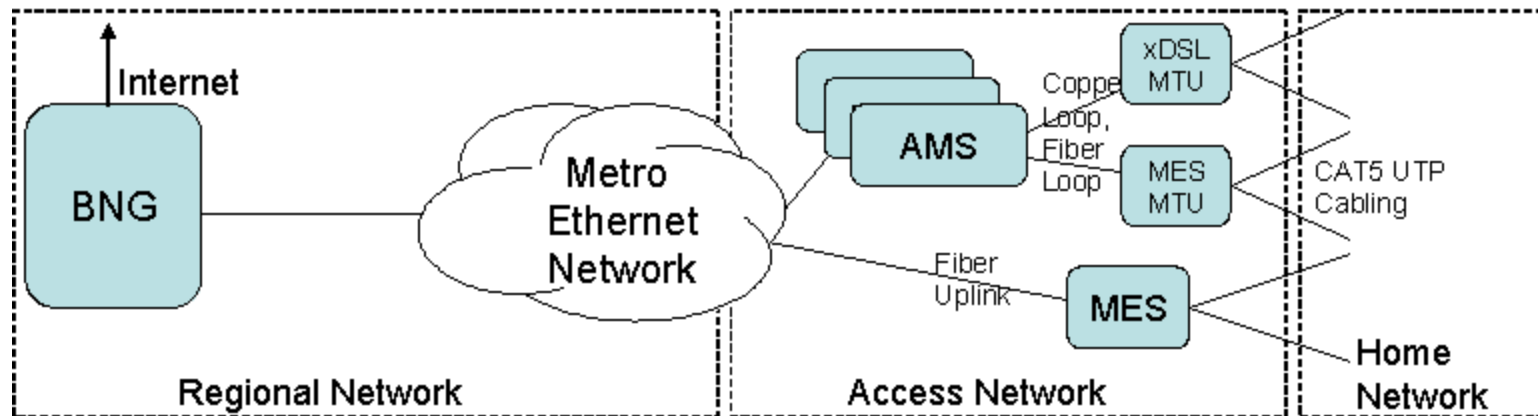
MPLS bridges the gap

- ◆ **MPLS can address the limitations of VLAN space, scaling with spanning tree, carrying VLAN information within network.**
- ◆ **Hybrid L2 Ethernet in access and IP/MPLS based core network is proposed for deploying Ethernet services.**

MPLS as the transport mechanism in Core

- ◆ Scalability in terms of aggregation
- ◆ End to End QoS
 - Guaranteed Bandwidth LSP
- ◆ Offers circuit setup and traffic engineering capabilities
- ◆ Protection and Restoration
 - MPLS-TE (Backup LSP/LSP Preemption, Fast Reroute Option)
- ◆ Support of TDM voice
 - Circuit emulation

Towards An Optimal Access Architecture



BNG: Broadband Network Gateway

xDSL: Any Digital Subscriber Line

AMS: Access Multiplexer/Switch

CPE: Customer Premises Equipment

MES: Metro Ethernet Switch

MTU: Multi-Tenant Unit

CAT5 UTP: Category 5 Unshielded Twisted Pair

Optimal Access architectures

◆ MES architecture

- MES with carrier class features and fiber uplink.
- Suffers from low port-fill rate leading to higher cost per port.
- While fiber to every building is ultimate goal, deployment scenarios in the field are very complex.

◆ MTU architecture

- **Multi-tenant unit**
 - ▶ First level of aggregation.
 - ▶ 4-8 port for optimal utilization.
 - ▶ Uplink- Fiber or VDSL
- **Access Multiplexer-Switch**
 - ▶ Second level of aggregation.
 - ▶ Flexible Physical interfaces (VDSL, Ethernet over CAT5, Ethernet over Fiber)

Cost Comparisons

Parameter	DSLAM	LSP	MES	DSL MTU	MES MTU
Port Density	384	512	24	384	384
DSLAM Port	\$20	-	-	-	-
CPE	\$16	-	-	-	-
MTU Port	-	-	-	\$20	\$20
CES Port	-	\$2	-	-	-
MES Port	-	-	\$20	-	-
AMS Port	-	-	-	\$8	\$12
Copper Loop	\$40	-	-	\$5	-
Fiber Loop	-	-	-	-	\$8
CAT5 cabling	\$2	\$40	\$30	\$20	\$20
Fiber Uplink	\$2	\$2	\$10	\$2	\$2
Total per port	\$80	\$44	\$60	\$55	\$62

Comparisons

◆ LSP Model

- Least expensive
- Residential subscribers tend to overlook problems in favor of cost factor.

◆ MES Model

- Low-port fill rate leading to higher cost per port.
- Low device port density results in higher cost for upstream devices.

◆ MES/MTU Model

- Suits best for providing affordable access in countries like India.

Technology Development

- ◆ Eisodus Networks company incubated at IIT Bombay has developed solution based on MES-MTU architecture.
- ◆ www.eisodus.com

Conclusions

- ◆ Cost competitive access infrastructure key to bridge information divide.
- ◆ Discussed various technology options.
- ◆ Ethernet over Fiber with VDSL in last few hundred meters based MES-MTU architecture seems promising.
- ◆ We also need
 - Affordable computing platforms
 - Rich information environment
 - ▶ Content, language, interface, information retrieval