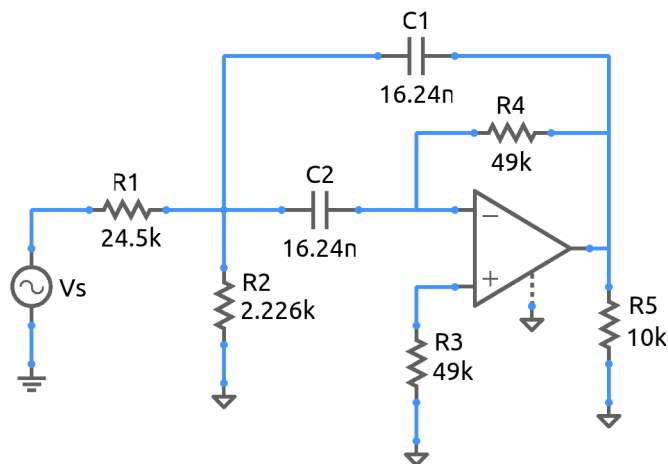


band_pass.sqproj



Ref: Fiore, Op Amps and Linear Integrated Circuits

Exercise Set

1. Plot the magnitude frequency response (log-log plot), and comment on the functionality of this filter circuit.
2. How will the filter response change if the capacitance values are decreased by a factor of 10? Verify with simulation.

References:

1. J. M. Fiore, *Op amps and linear integrated circuits*, Delmar, 2001.