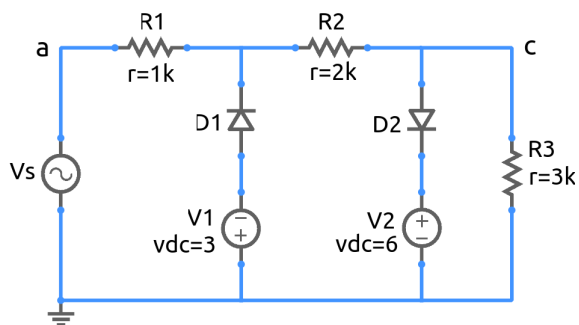


ee101_diode_circuit_8.sqproj



For the circuit shown in the figure, assume the diodes to have a turn-on voltage of 0.7 V .

Exercise Set

1. Plot $V_o (= V_c)$ versus $V_i (= V_a)$ for $-10\text{ V} < V_i < 10\text{ V}$. Compare with simulation.
2. Plot the diode currents versus V_i . Compare with simulation.