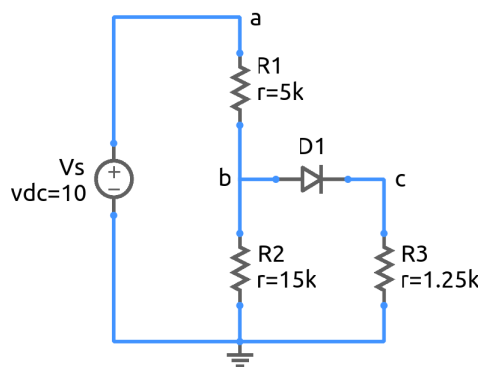


ee101_diode_circuit_9.sqproj



For the diode circuit shown in the figure, assume the turn-on voltage of the diode to be 0.7 V .

Exercise Set

1. Calculate V_b , V_c , and all currents.
2. Check your values against simulation results.