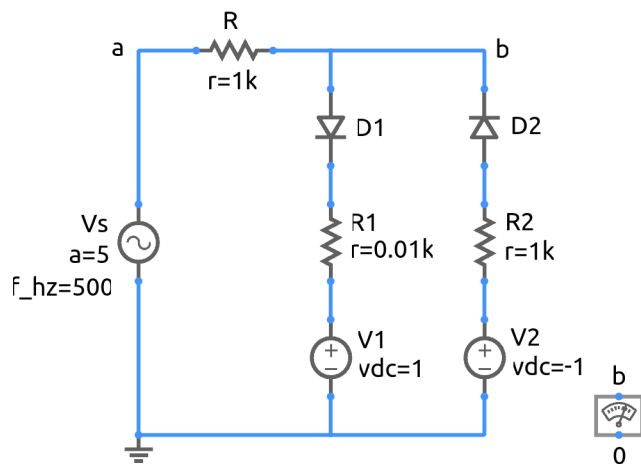


ee101_diode_clipper_3.sqproj



Assume the turn-on voltage of the diodes to be 0.7 V .

Exercise Set

1. Plot V_o versus V_i .
2. Plot the diode currents versus V_i .
3. Plot the voltage across each diode versus V_i .
4. Compare your results with simulation.