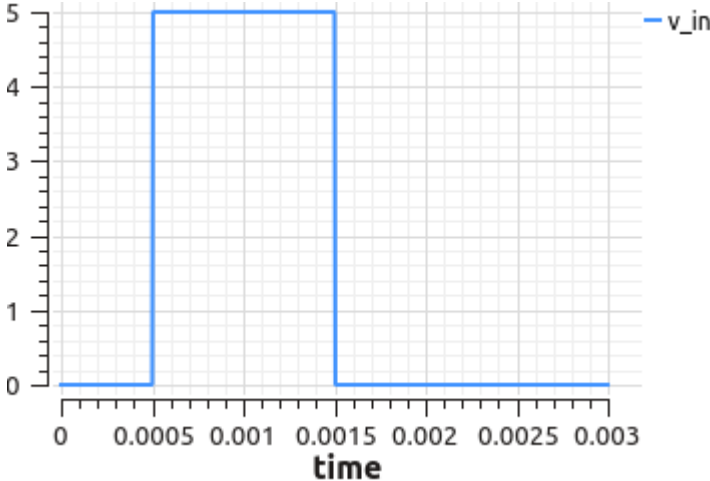
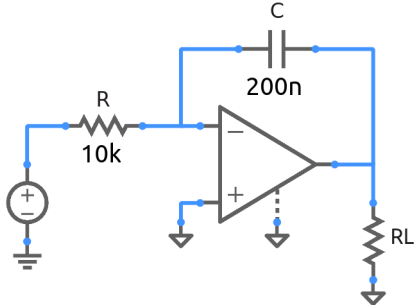


ee101\_integrator\_1.sqproj



The purpose of this simulation exercise is to understand the response of an Op Amp integrator to an input voltage pulse (as shown in the figure).

Exercise Set

1. For the  $R$  and  $C$  values specified, plot the integrator output  $V_o$  as a function of time, assuming that  $V_o = 0$  V in the beginning.
2. Compare your plot with simulation results.