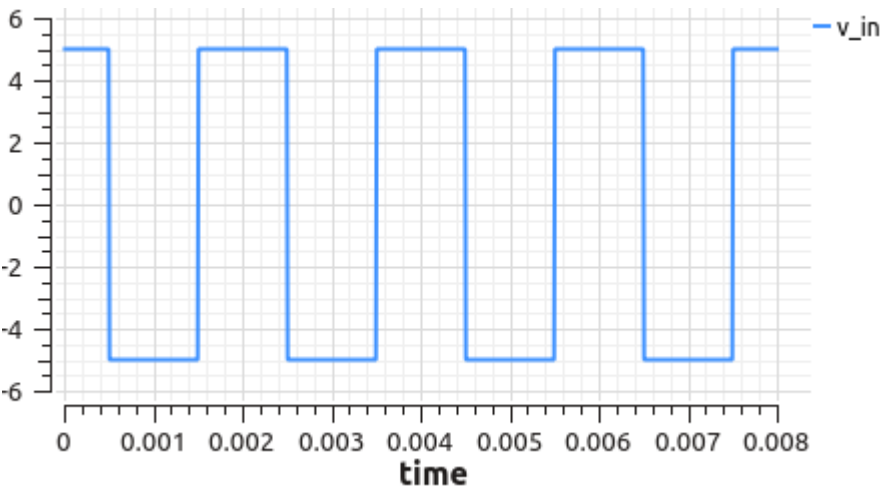
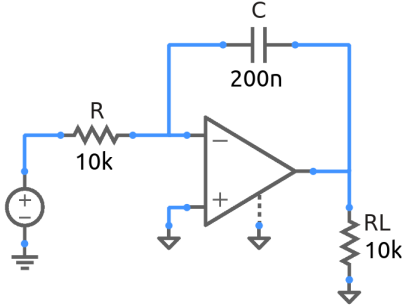


ee101\_integrator\_2.sqproj



The purpose of this simulation exercise is to understand the response of an Op Amp integrator to a square wave input (as shown in the figure).

Exercise Set

1. For the  $R$  and  $C$  values specified, plot the integrator output  $V_o$  as a function of time for two clock cycles, assuming that  $V_o = 0$  V in the beginning.
2. Compare your plot with simulation results.