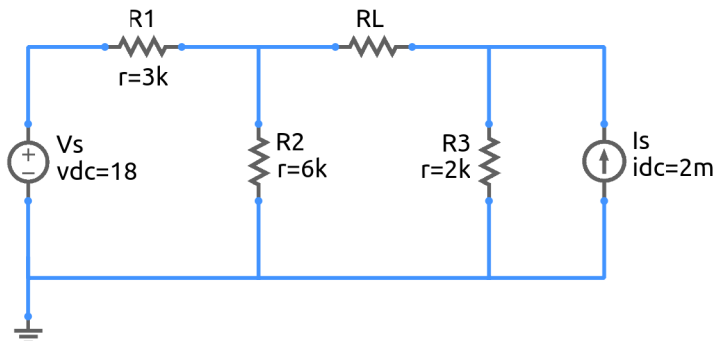


ee101_network_10.sqproj



Exercise Set

In the circuit shown in the figure,

1. Find the Thevenin equivalent circuit as seen from R_L .
2. What is the maximum power that can be transferred to R_L ?
3. Simulate the circuit, and plot P_L (power absorbed by R_L) versus R_L to verify the answer you obtained in 2.