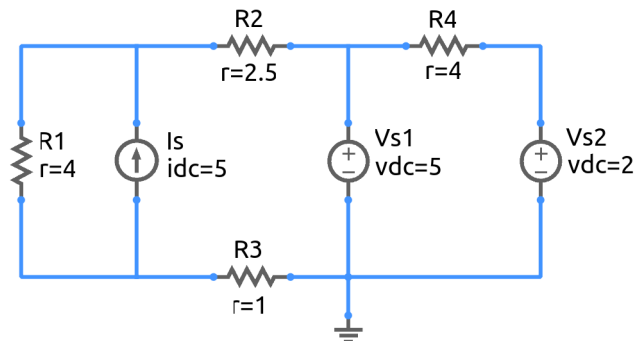


# ee101\_network\_2.sqproj



## Exercise Set

In the circuit shown in the figure,

1. What is the current through  $R_4$ ?
2. Find the current through  $R_2$  using superposition.
3. Using the above results, find all other currents.
4. Verify your values against simulation results.