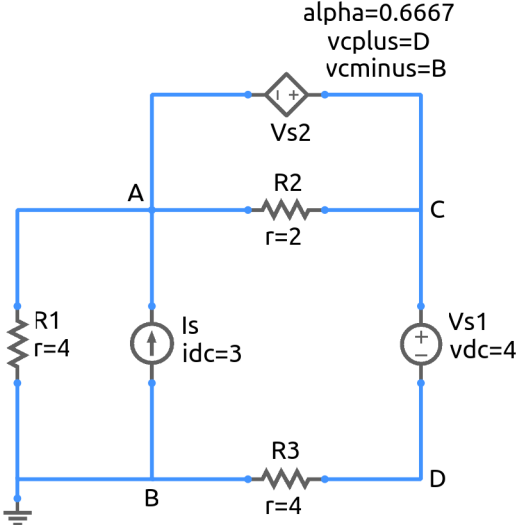


ee101\_network\_4.sqproj



Exercise Set

In the circuit shown in the figure,

1. Convert the  $I_S$ - $R_1$  combination into its Thevenin equivalent, and redraw the circuit.
2. Using mesh analysis, find  $I_{R_3}$  in the redrawn circuit. Using  $I_{R_3}$ , find  $I_{R_1}$  and  $I_{R_2}$  in the original circuit.
3. Check your values against simulation results.