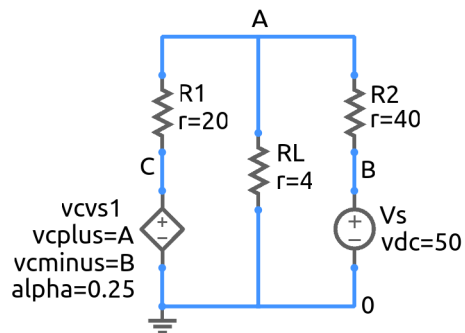


ee101_network_7a.sqproj



Exercise Set

In the circuit shown in the figure,

1. Using mesh analysis, find I_{RL} .
2. Find the Thevenin equivalent circuit as seen from R_L (It is convenient to take R_L to the right for this purpose; it does not change the circuit), and then find I_{RL} .
3. Check your values against simulation results.