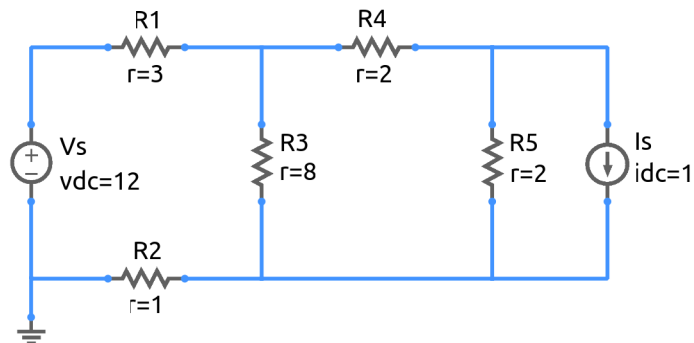


# ee101\_network\_8.sqproj



## Exercise Set

In the circuit shown in the figure,

1. Find all currents using superposition.
2. Find the current through  $R_4$  by converting the two circuits  $R_1-R_3-R_2-V_S$  and  $I_S-R_5$  into their Thevenin equivalents. Now find the other currents.
3. Check your values against simulation results.