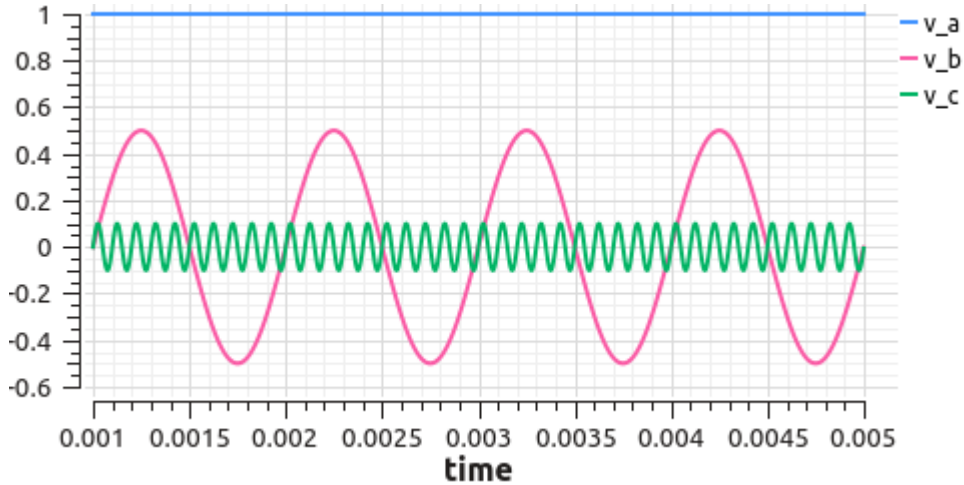
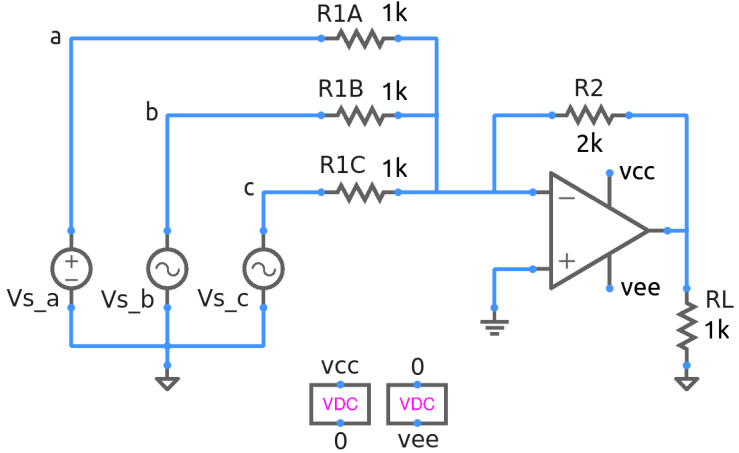


ee101_summer.sqproj



An Op Amp summer circuit is shown in the figure along with the inputs $V_a(t)$, $V_b(t)$, $V_c(t)$.

Exercise Set

1. Write an expression for the output voltage V_{out} in terms of the input voltages.
2. Sketch $V_{out}(t)$ for the time interval shown in the figure.
3. Compare your plot with the simulation result.