

ic555d.sqproj

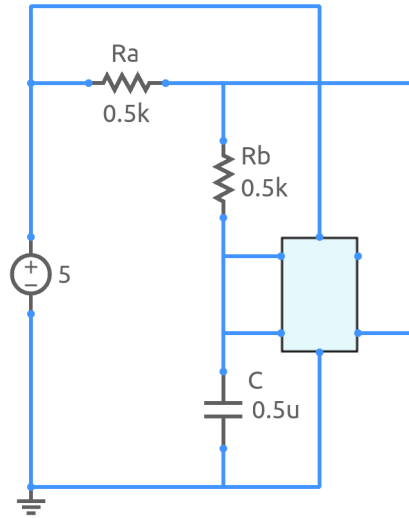


Figure 1: Astable operation of the 555 timer.

The purpose of `ic555d.sqproj` is to demonstrate the use of the sub-circuit feature. The sub-circuit – the rectangle symbol in the circuit schematic shown in Fig. 1 – represents the 555 timer and is obtained by saving part of the circuit for `ic555c.sqproj` as a sub-circuit. The circuit operation is described in the help file for `ic555c.sqproj`.