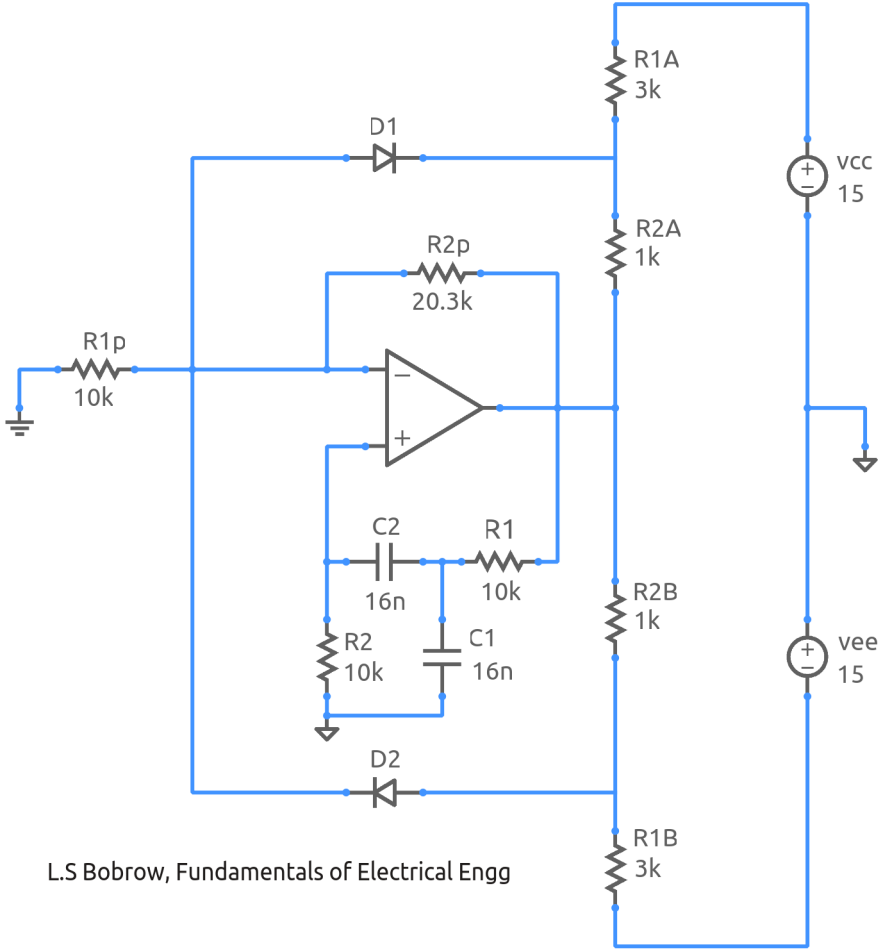


osc\_sinusoidal\_1.sqproj



L.S Bobrow, Fundamentals of Electrical Engg

Figure 1: A sinusoidal oscillator circuit.

Exercise Set

- 1. Using the Barkhausen criterion, find the oscillation frequency and the minimum amplifier gain.
- 2. Simulate the circuit and check your results.

References

- 1. L.S. Bobrow, *Fundamentals of Electrical Engineering*, Oxford University Press, 2009.
- 2. S. Franco, *Design with Operation Amplifiers and Analog Integrated Circuits*, McGraw-Hill, 1998.

3. J. Millman and A. Grabel, *Microelectronics*, McGraw-Hill, 1988.
4. A.S. Sedra, K.C. Smith, and A..N. Chandorkar, *Microelectronic Circuits*, Oxford University Press, 2004.