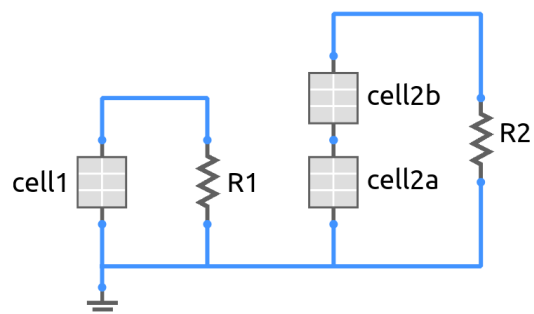


solar_iv_3.sqproj



I-V characteristics of solar cells in series

The purpose of the simulation set-up shown in the figure is to compare the I - V curve of a single solar cell with two solar cells connected in series. The I - V curve is obtained in each case by varying the load resistance which amounts to changing the voltage from 0 V to V_{oc} .

Exercise Set

1. Run the simulation. Plot I versus V for the single solar cell and for the series connection of two cells. Comment on the plots.
2. Repeat for P (power) versus V relationship in the two cases.