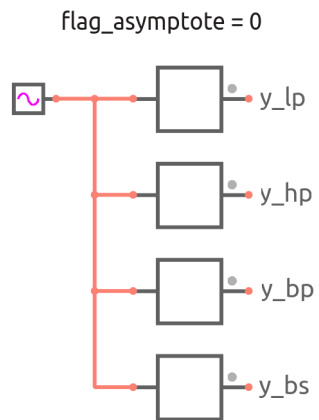


test_filter_order2.sqproj



Note: Use trapezoidal method.

Exercise Set

1. Shown in the figure are second-order filters. Look at their parameters and check that the simulated frequency response corresponds to the specified parameter values.
2. Change some of the parameter values and observe the effect on the frequency response.
3. Simulate in time domain and verify that the filters exhibit the expected behaviour.